

Hyperion™ Package

For customers who want to automatically adjust their shades to enhance the comfort and productivity of their employees while reducing energy costs through increased day lighting and decreased cooling cost. The Quantum® Select Hyperion™ package provides a simple, cost effective way to add Hyperion™ solar tracking software to automate Sivoia® QS shading systems and reduce glare and solar heat gain within a work environment.

A Radio Window Sensor (purchased separately) may be added when shadows are cast on buildings or cloudy conditions prevail. The sensor works at the window level to communicate current exterior light conditions and enables the system to respond appropriately.

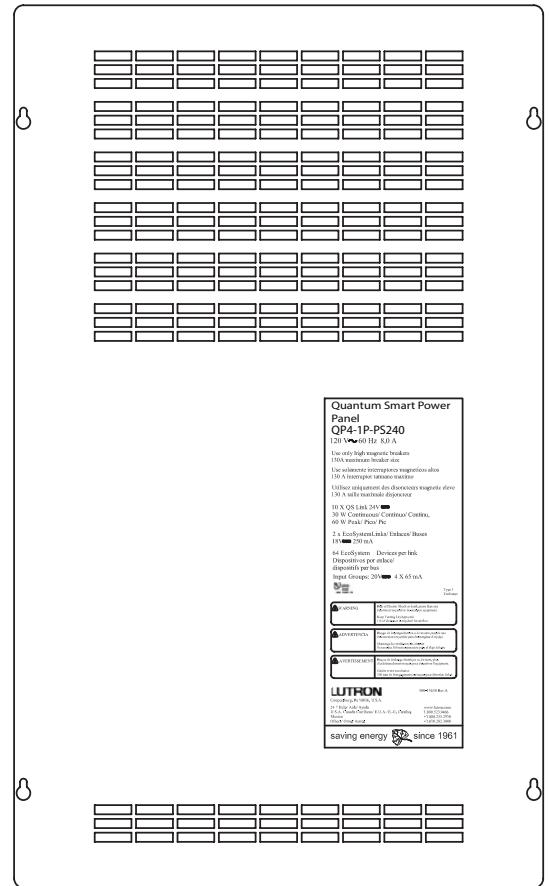
Additional Information:

- Additional technical information about the products included in this Quantum® Select Package can be found at <http://www.lutron.com/Service-Support/Technical/Pages/ProductSpecification.aspx?syst=Whole+Building+Systems&prodn=Quantum%C2%AE>

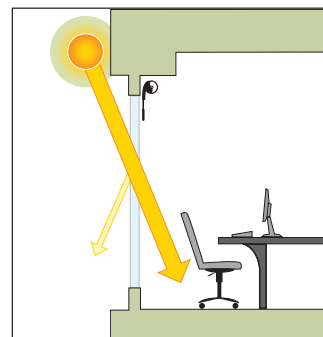
Package Includes:

- Model Number: **QP4-1P-PS240*** - Quantum® hub with Smart Power Panel, quantity 1
- Model Number: **QSW-S-PP-A** - Q-Admin™ Shade Control and Monitoring Software License, quantity 1

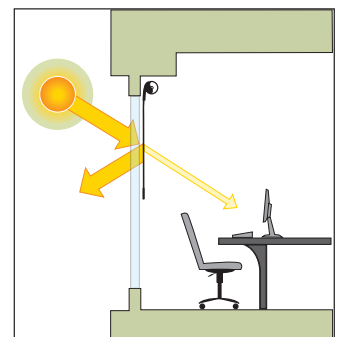
* Please refer to spec submittal for QP4-1P-PS240, Lutron document 085-307.



June 21st, 11am



Dec. 21st, 11am



Job Name:	Model Numbers:
Job Number:	