

### PD-6CSi Dual-Channel Custom Loudspeaker featuring Coherent Signal Summation

"Dual-channel" or "dual voice coil" loudspeakers are a popular application in custom installation for smaller listening areas such as a bathroom, laundry room or walk-in closet. The latest addition to our PD Series, the PD-6CSi provides a superior alternative to conventional models currently on the market. Yet this affordable model utilizes the same high performance planar ribbon driver, Kevlar™ woofer and Neodymium magnet as found in other PD Series models.

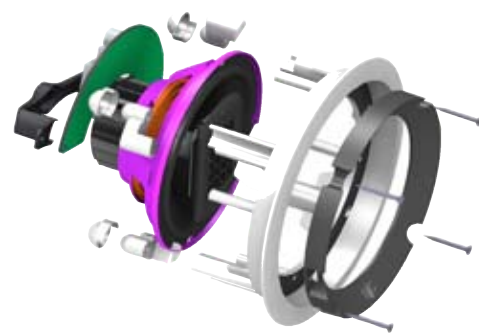
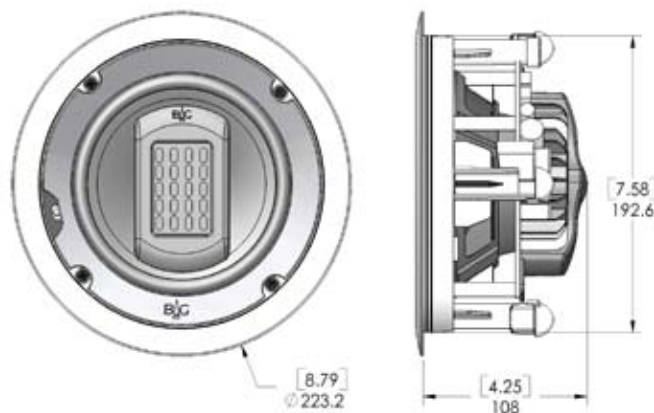
The PD-6CSi is the first dual-channel architectural loudspeaker that correctly reproduces information from two-channel stereo sources. It does so by accurately integrating signals from both stereo channels into one, so that true high fidelity and outstanding coverage can be delivered from a single speaker.

The secret lies in BG's Coherent Signal Summation, accurately integrating signals from both stereo channels into one signal that can be reproduced from a single loudspeaker. This is achieved through a dual voice coil woofer and single tweeter with a signal summation network, built around a specifically designed summation transformer. The result is smooth, wide and consistent coverage, even in smaller listening areas.

Clean and clear with smooth, lifelike imaging. The PD-6CSi makes it not only possible, but remarkably simple, to design and install these systems in virtually any high performance In-Ceiling application.

- **Wide dispersion** Exclusive patented wideband PDR planar ribbon tweeter pivots for an extremely wide sweet spot over the entire listening environment
- **Lifelike imaging** Coherent Signal Summation technology provides balance and spatially consistent reproduction for both stereo channels to a single point source loudspeaker
- **Easy to install** Improved poly-composite frames (paintable), rust-resistant metal grills and glass-filled composite toggle clamps simplify installation





#### GENERAL PARAMETERS:

<b>Description</b>	Dual-channel 2-way coaxial hybrid
<b>Dimensions</b>	8 13/16" x 4 1/4"
<b>Weight</b>	3.5 lbs.
<b>Cutout size</b>	7 5/8" diameter
<b>Installed depth</b>	4 1/4" from surface
<b>Driver complement</b>	1 x 6" dual-voice coil Kevlar™, Neo magnet woofer 1 x Neo3PDR planar ribbon tweeter, pivoting
<b>Nominal impedance</b>	8 ohms per channel
<b>Frequency response</b>	50 Hz - 25 kHz (-6dB, half space)
<b>Power handling</b>	100 W RMS
<b>Sensitivity</b>	87 dB/1W/1M
<b>Crossover frequency</b>	2.3 kHz, passive
<b>Adjustments</b>	-3 dB, 0 dB, +3 dB tweeter level adjustment
<b>Installation</b>	The PD Series loudspeakers use high-quality, glass-filled, composite dog-toggle clamps for easy mounting in panel thicknesses from 3/8" - 1 7/8"
<b>Warranty<sup>1</sup></b>	Lifetime

<sup>1</sup> Please see BG warranty for complete details